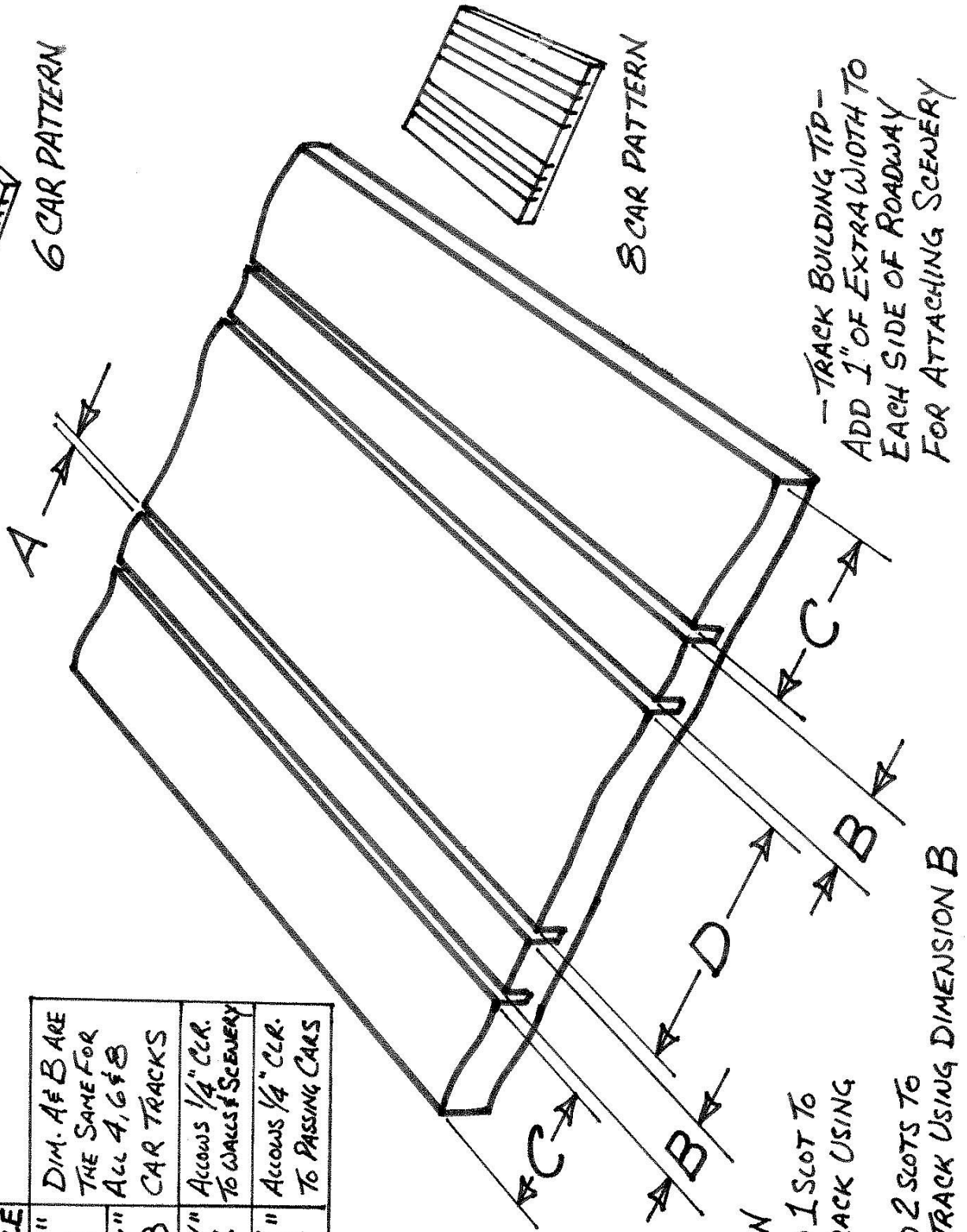
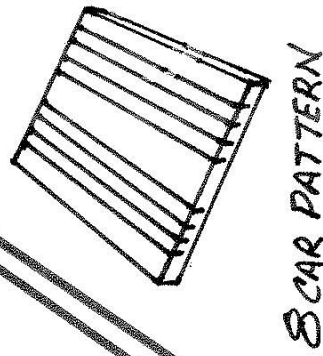
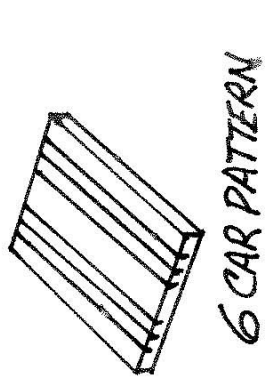


# SLOT ROUTING PATTERNS FOR ACCZCAR TRACKS

	1/32 SCALE	1/24 SCALE	
A	1/8"	1/8"	DIM. A & B ARE THE SAME FOR ALL 4, 6 & 8 CAR TRACKS ACCOWS 1/4" CLR. TO WALLS & SCENERY ACCOWS 1/4" CLR. TO PASSING CARS
B	7/8"	7/8"	
C	1 1/2"	1 3/4"	
D	2 3/4"	3 1/4"	



- o 4 CAR TRACK SHOWN
- o 6 CAR TRACK - ADD 1 SLOT TO EACH SIDE OF TRACK USING DIMENSION B
- o 8 CAR TRACK - ADD 2 SLOTS TO EACH SIDE OF TRACK USING DIMENSION B

-- TRACK BUILDING TIP - ADD 1" OF EXTRA WIDTH TO EACH SIDE OF ROADWAY FOR ATTACHING SCENERY